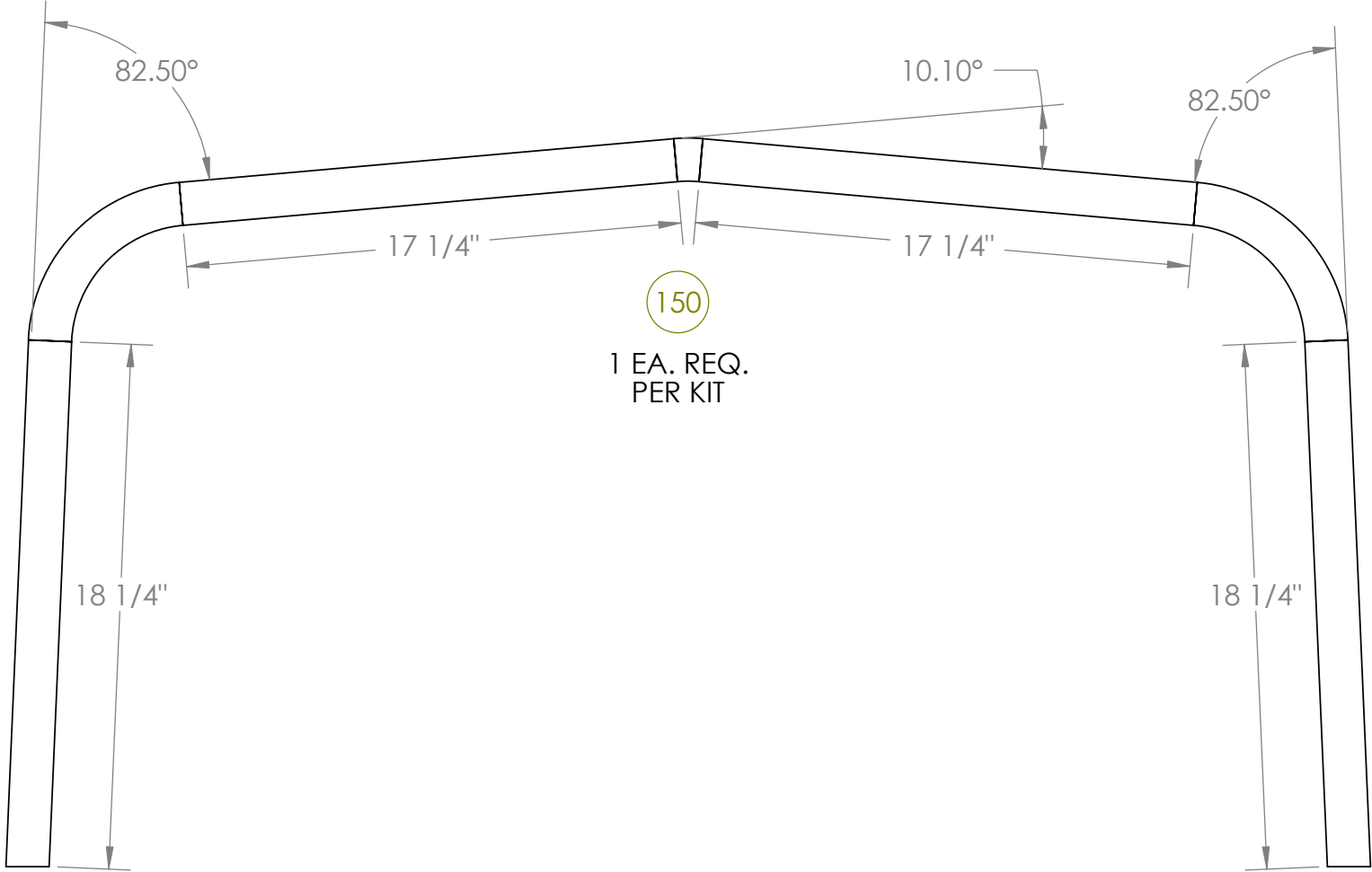


**ALL PARTS ARE BENT ON A 5" CLR.
MATERIAL 1 1/2" X .095 DOM**



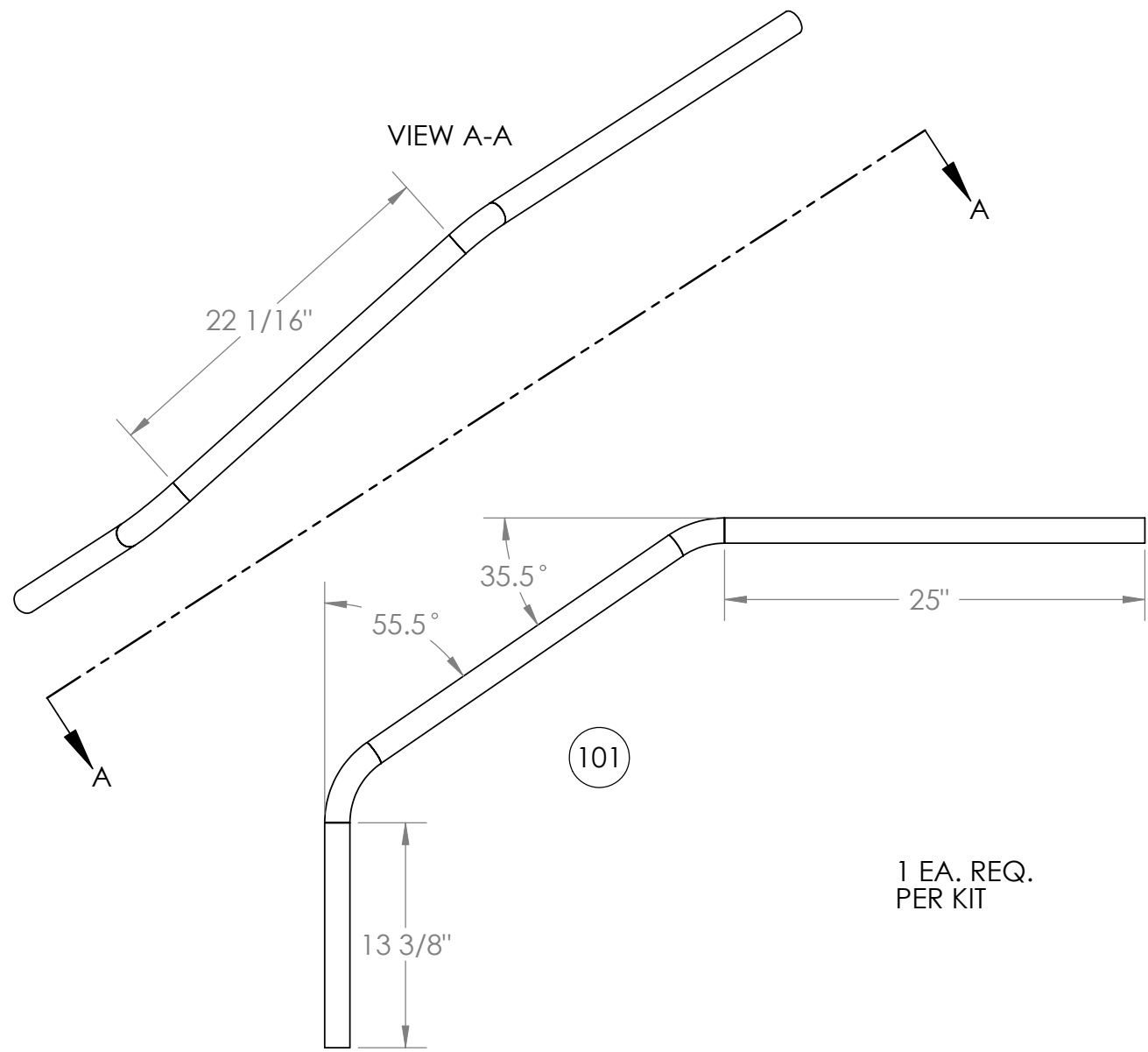
150
1 EA. REQ.
PER KIT



MATERIAL:	WEIGHT:	REV:	TITLE: Tall Person Miata Main Hoop
	DATE: 8/10/07		FILE NAME:
	DRAWN BY: D. Gilbert	SHEET 1 OF 10	5 inch Tall SM Cage Kit
		SCALE: 1:6	

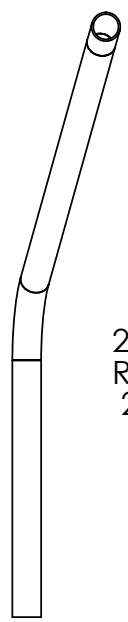
102

NOTE: Part #102 is the opposite of #101.



101

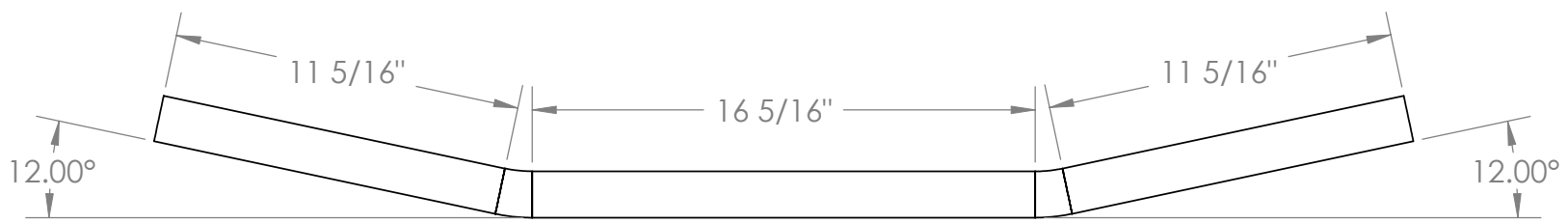
1 EA. REQ. PER KIT



27 Degree Rotation on 2nd Bend

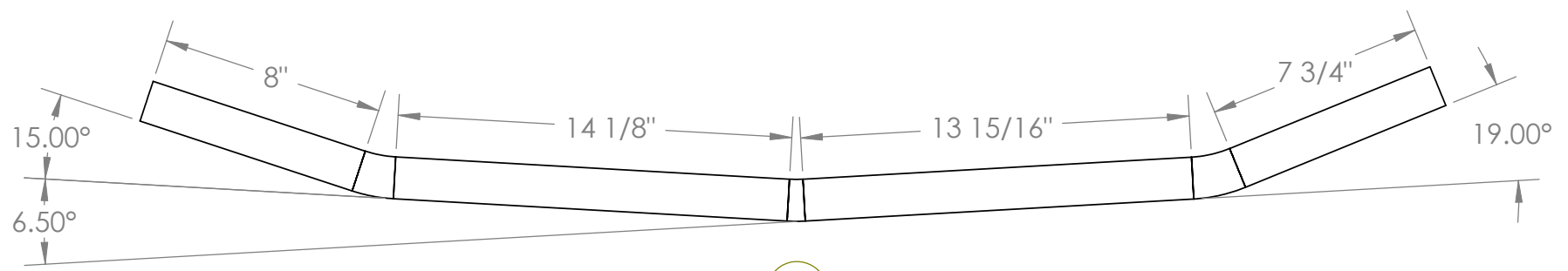


MATERIAL:	WEIGHT:	REV:	TITLE:
	DATE: 8/10/07		Door Frame Bars
	DRAWN BY: D. Gilbert	SHEET 2 OF 10	FILE NAME:
	SCALE: 1:10		5 inch Tall SM Cage Kit



114

1 REQ.
PER KIT

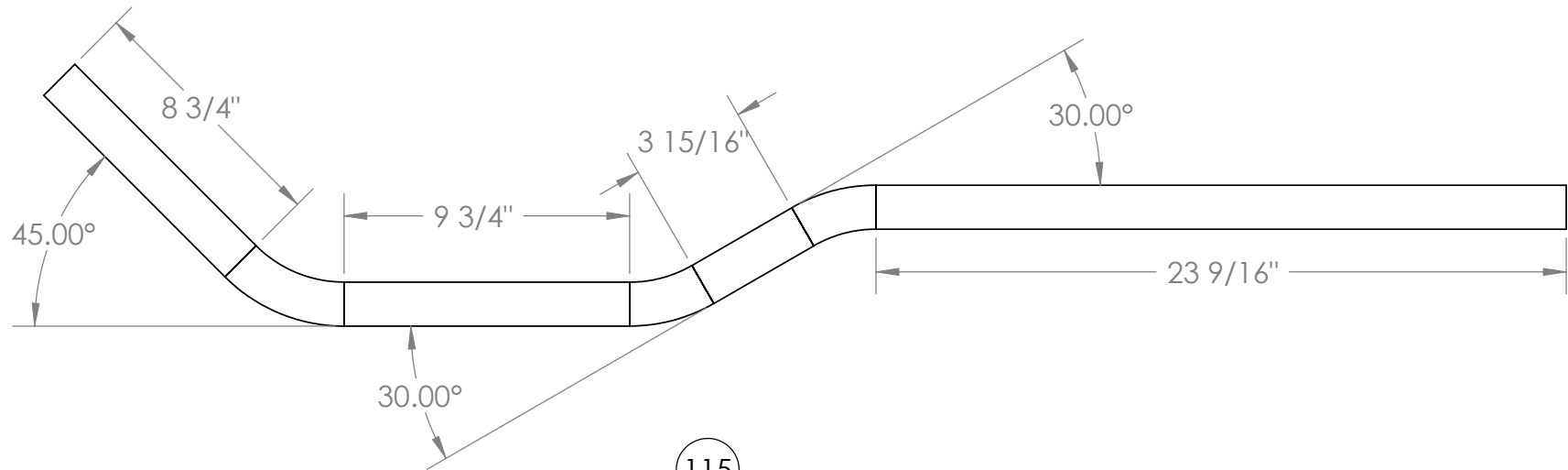


113

1 REQ.
PER KIT

MATERIAL:	WEIGHT:	REV:	TITLE: Roof Bars
DATE: 8/10/07		SHEET 3 OF 10	FILE NAME:
DRAWN BY: D. Gilbert			



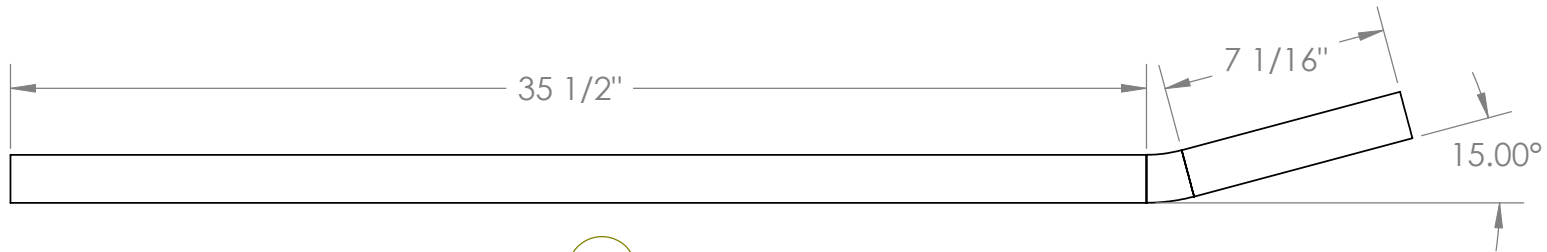


115

1 REQ.
PER KIT

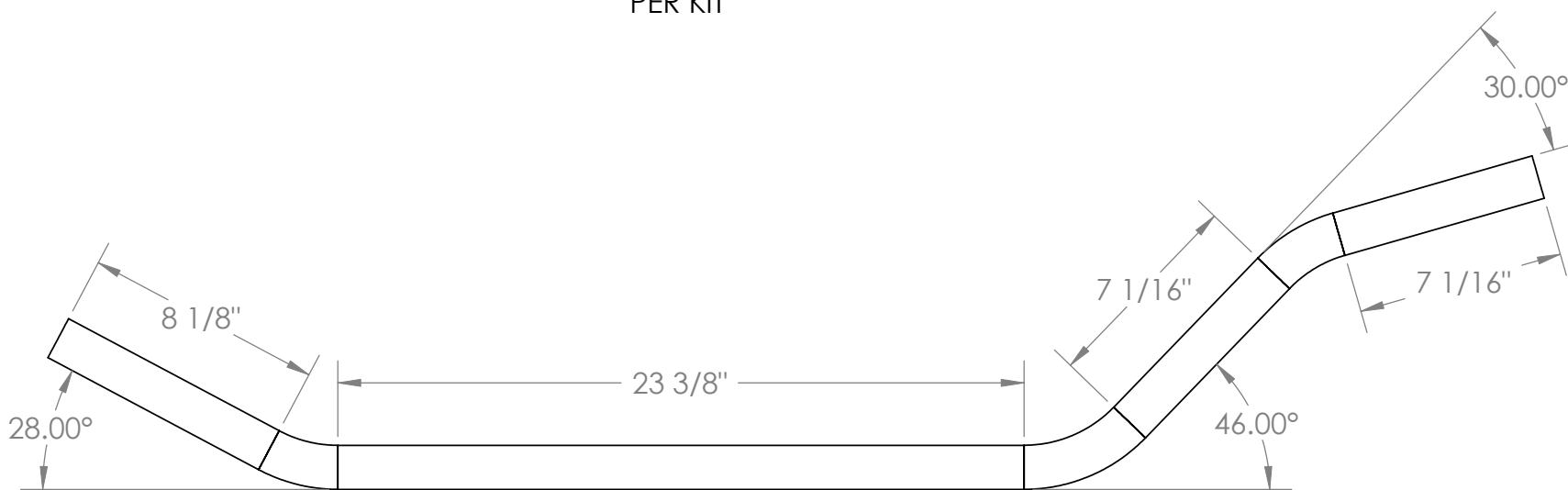


MATERIAL:	WEIGHT:	REV:	TITLE:
	DATE: 8/10/07		Seat Brace Bar
	DRAWN BY: D. Gilbert	SHEET 4 OF 10	FILE NAME:
		SCALE: 1:6	5 inch Tall SM Cage Kit




104

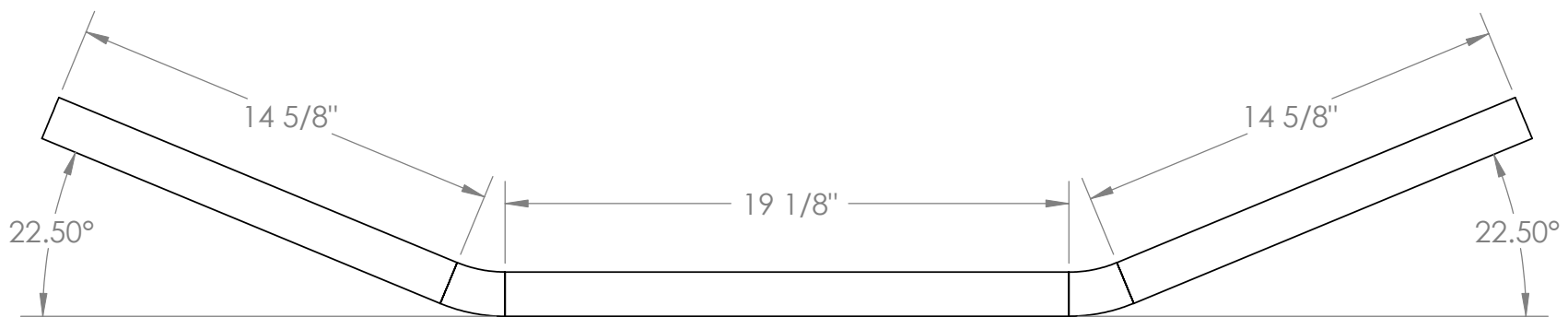
2 REQ.
PER KIT



151

2 REQ.
PER KIT

MATERIAL:	WEIGHT:	REV:	TITLE:
	DATE: 10/8/07		Door Bars
		SHEET 5 OF 10	FILE NAME:
		SCALE: 1:6	5 inch Tall SM Cage Kit
DRAWN BY: D. Gilbert			



124

1 REQ.
PER KIT



MATERIAL:	WEIGHT:	REV:	TITLE:
	DATE: 10/8/07		Optional Dash Bar
	DRAWN BY:	SHEET 6 OF 10	FILE NAME:
	D. Gilbert	SCALE: 1:6	5 inch Tall SM Cage Kit

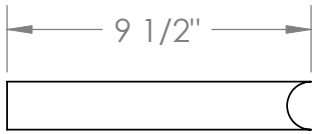
5

4

3

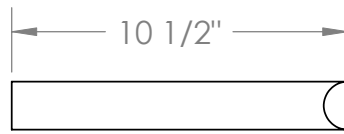
2

1



107

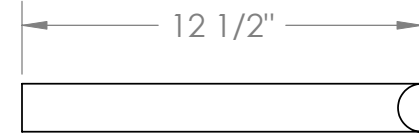
2 REQ.
PER KIT



106

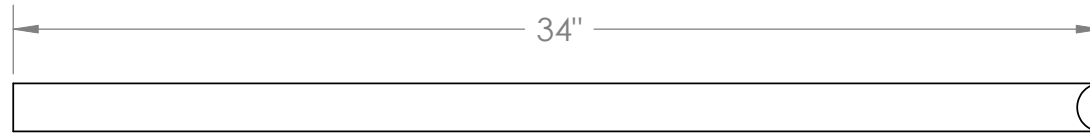
121

2 EA. REQ.
PER KIT



105

2 REQ.
PER KIT



2 REQ.
PER KIT

118



1 REQ.
PER KIT

152



1 REQ.
PER KIT

116

MATERIAL:

WEIGHT:

REV:

TITLE:



DATE: 8/10/07

DRAWN BY:

D. Gilbert

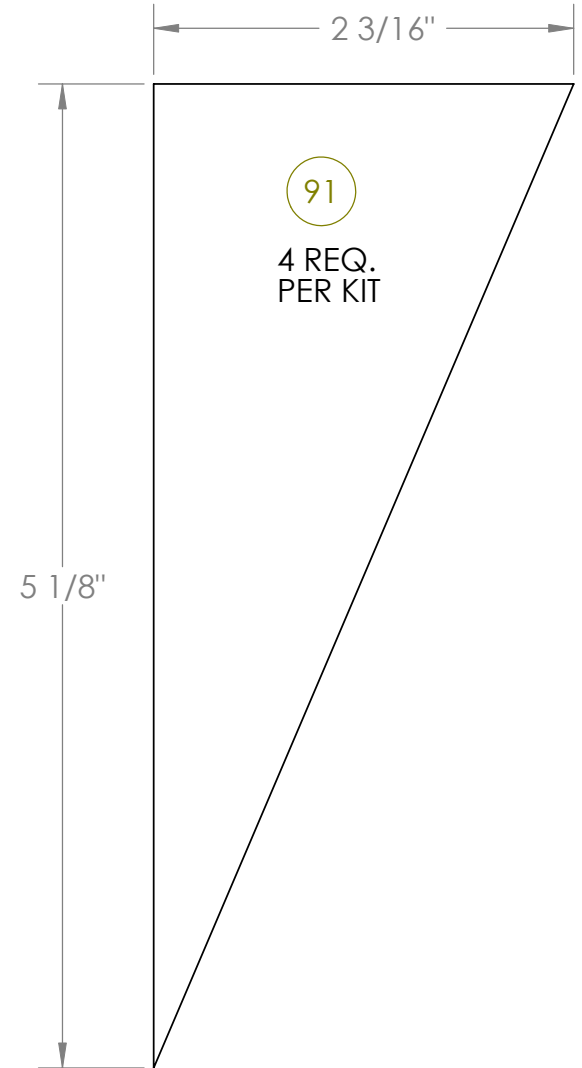
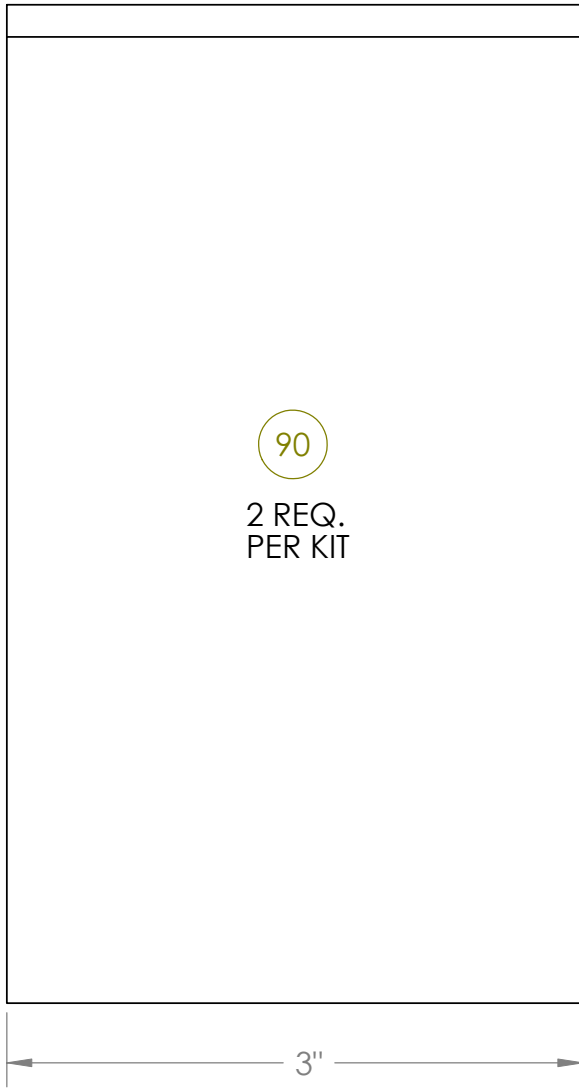
SHEET 7 OF 10

SCALE: 1:6

Straight Tubes

FILE NAME:

5 inch Tall SM Cage Kit



MATERIAL: 11 Ga. MS

WEIGHT:

REV:

TITLE:



DATE: 10/8/07

Front Perch Plates

DRAWN BY:

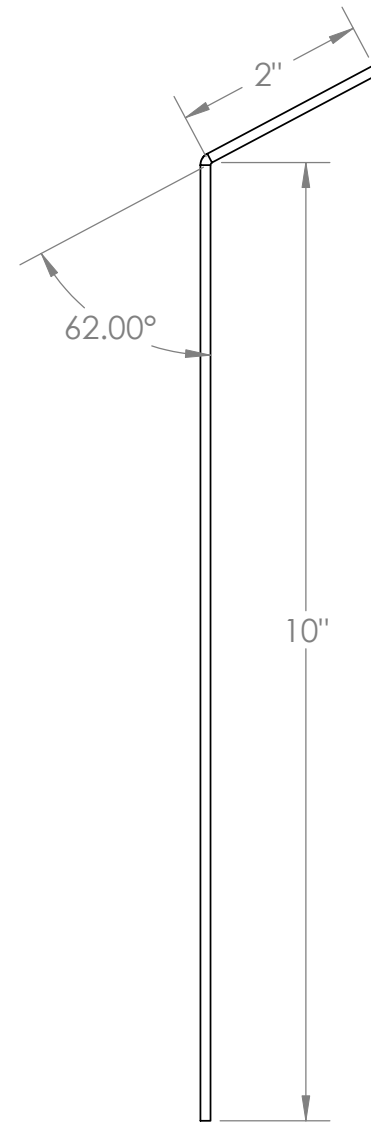
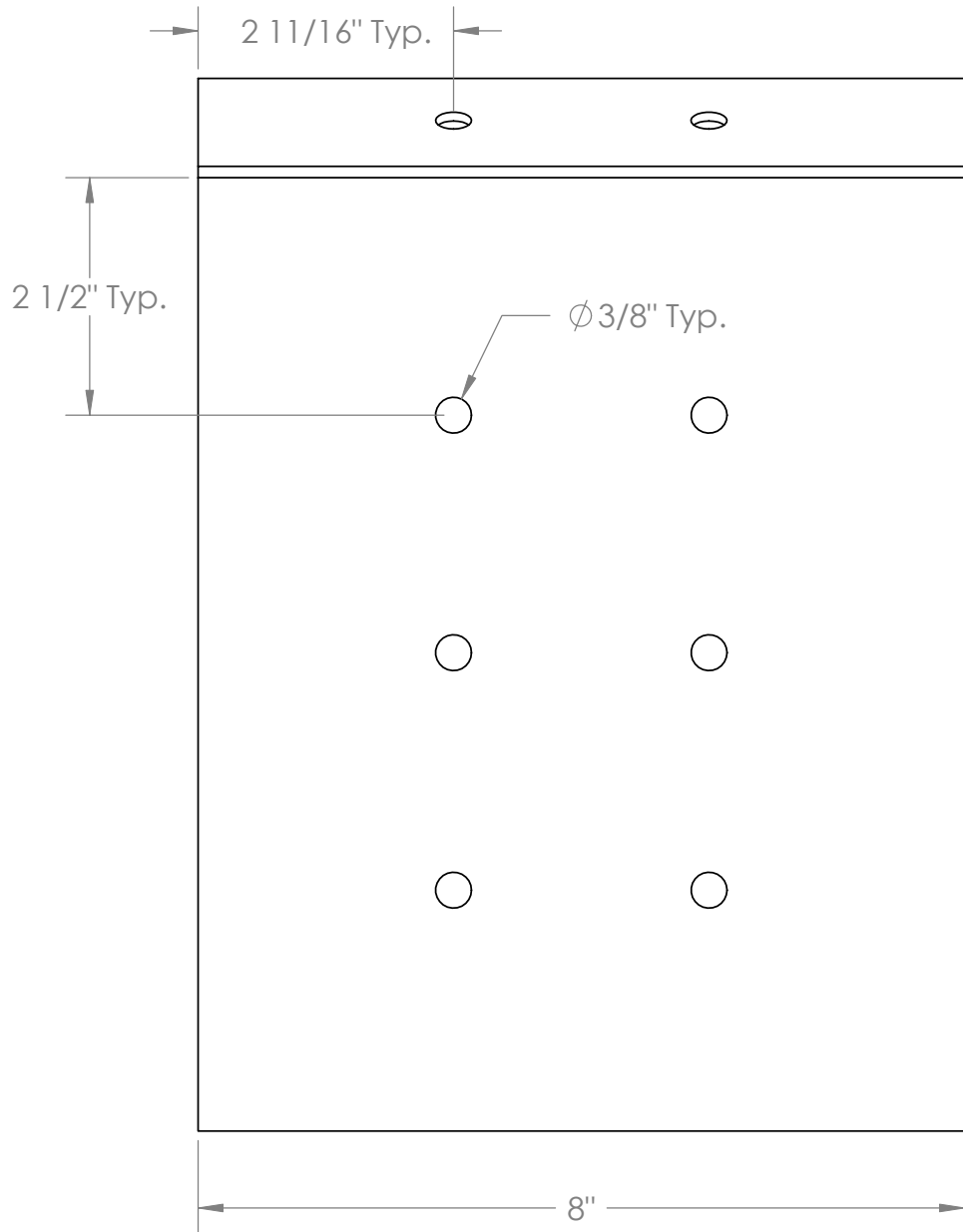
SHEET 8 OF 10

FILE NAME:

D. Gilbert

SCALE: 1:1

5 inch Tall SM Cage Kit

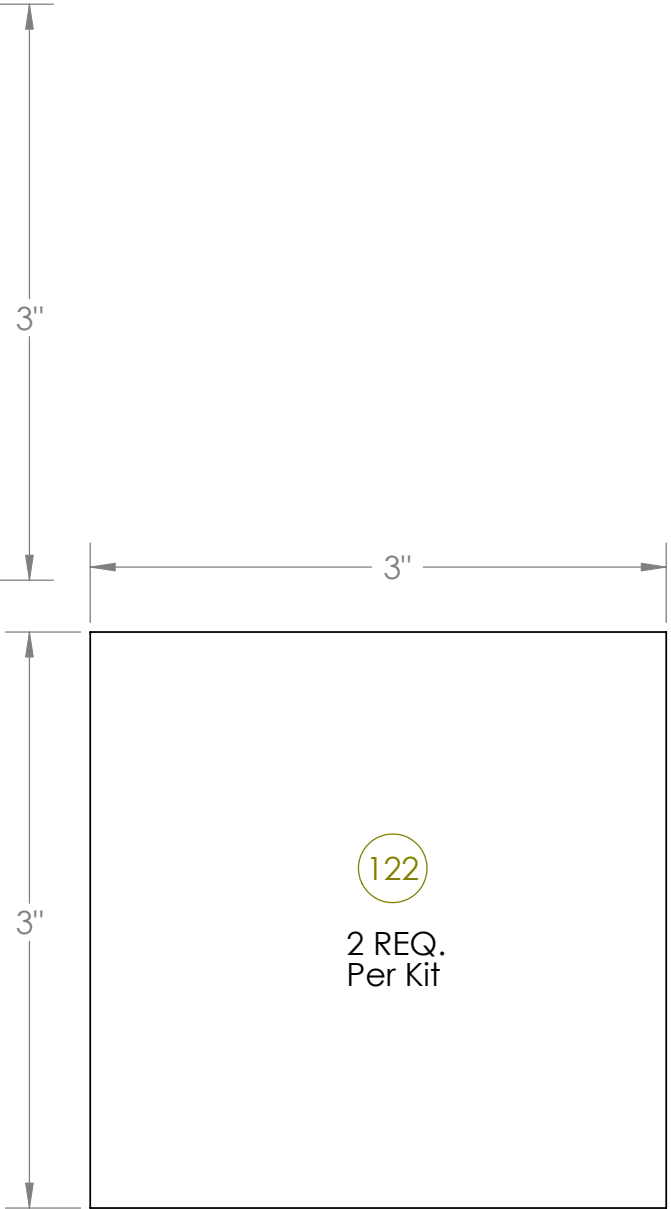


89

2 REQ.
Per Kit



MATERIAL:	WEIGHT:	REV:	TITLE: Main Hoop Perch Plate
	DATE: 8/10/07		
	DRAWN BY: D. Gilbert	SHEET 9 OF 10	FILE NAME:
		SCALE: 1:2	5 inch Tall SM Cage Kit



	MATERIAL:	WEIGHT:	REV:	TITLE: Firewall & Rear Down Tube Plates
	DATE: 8/10/07	DRAWN BY: D. Gilbert	SHEET 10 OF 10	FILE NAME: 5 inch Tall SM Cage Kit
			SCALE: 1:1	